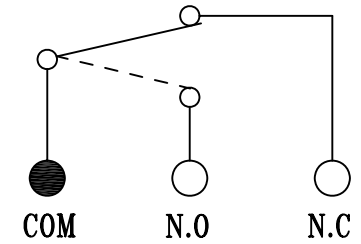
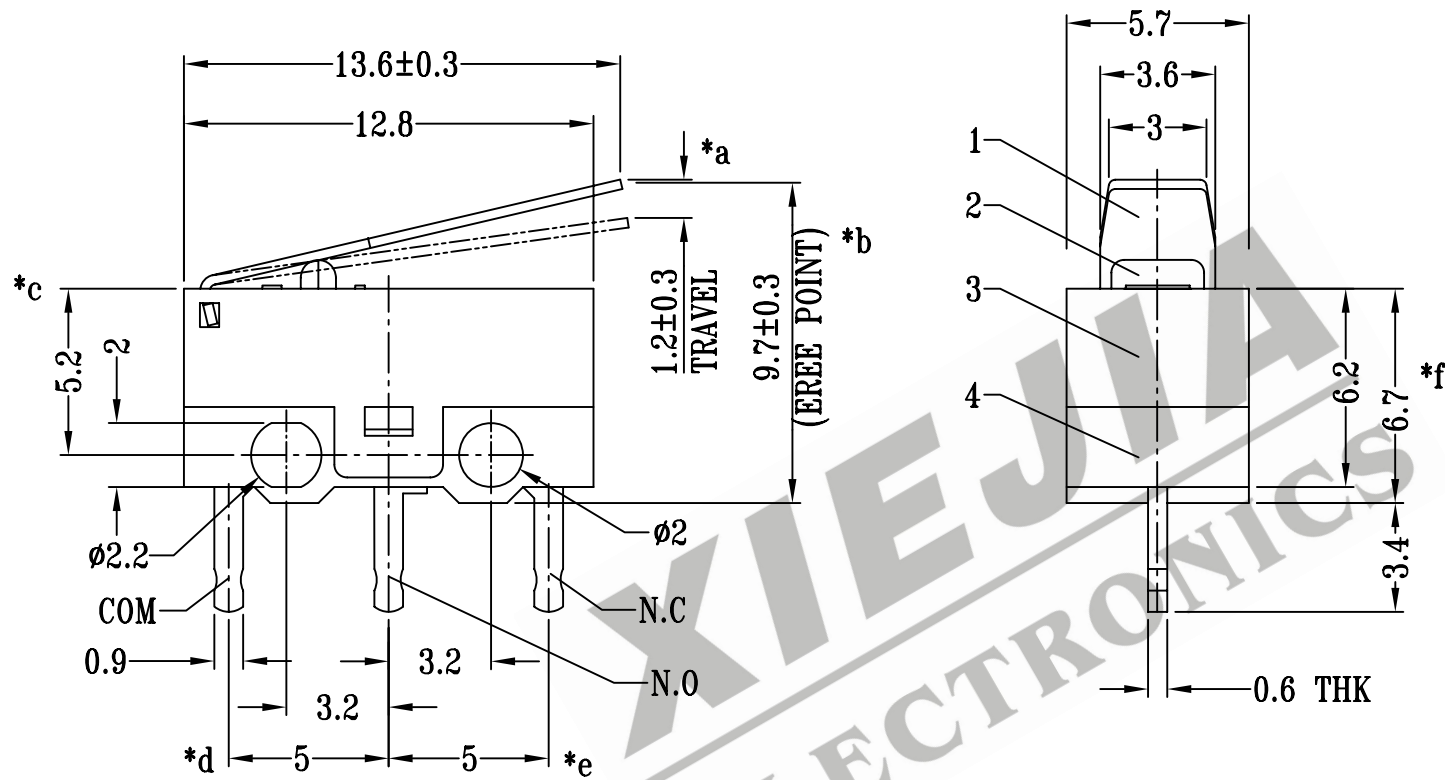
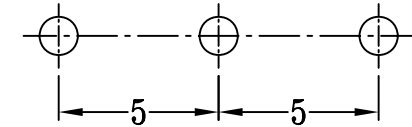


CAD FILE:



SCHEMATIC



P.C.B LAYOUT

注:带"*"表示关键尺寸(6个)

9	CONTACT B	PBS STRIP	1	NATURAL	TOLERANCE UNLESS SPECIFIED WITHIN: 1.5±0.1mm OVER : 1.5±0.2mm	SHENZHEN XIEJIA ELECTRONICS CO.,LTD.					
8	CONTACT A	SLIVER	1	NATURAL							
7	TERMINAL (COM)	BRASS STRIP	1	Ag PLATED OVER Ni PLATED		ISSUE	DATE	DESCRIPTIONS		APPD.	
6	TERMINAL (N.O)	BRASS STRIP	1	Ag PLATED OVER Ni PLATED		TITLE : MICRO SWITCH		UNIT : MM	DRWG NO.: XJ-DR-MX1382-00		
5	TERMINAL (N.C)	BRASS STRIP	1	Ag PLATED OVER Ni PLATED				MODEL: MX-1382		SCALE: 4 : 1	DWN.
4	INSERT CASE	PBT	1	BLACK	ALL MATERIALS MUST BE COMPLIANT TO ROHS		CHK'D			FANGYING	2005-10-5
3	HOUSING	PC	1	BLACK			APPD.		KANGXINAN	2005-10-5	
2	KNOB	POM	1	BLACK							
1	STEEL KNOB	STAINLESS STEEL	1	NATURAL							
NO.	PART NAME	MATERIAL	Q'TY	FINISHING							